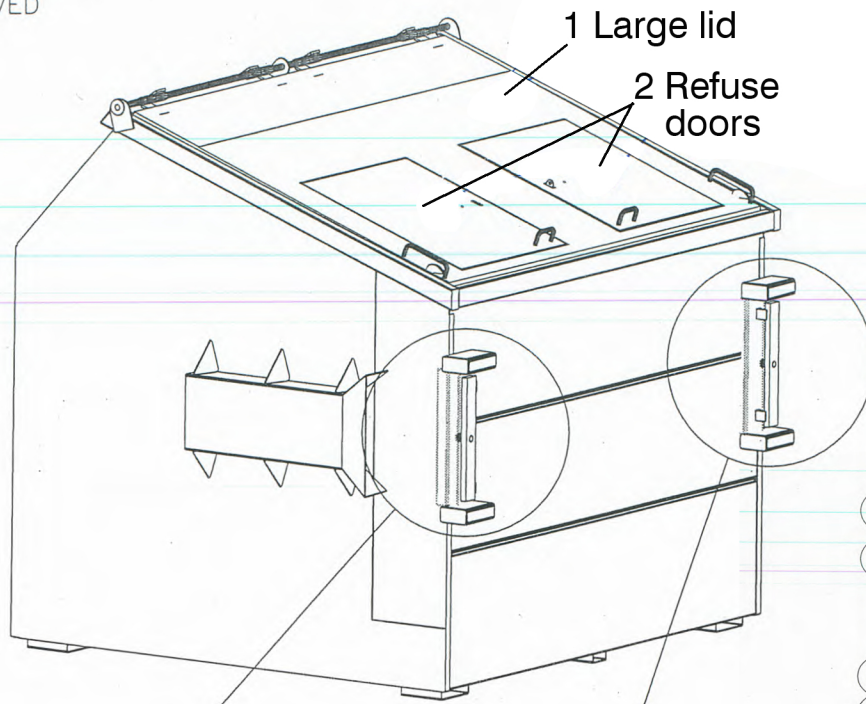


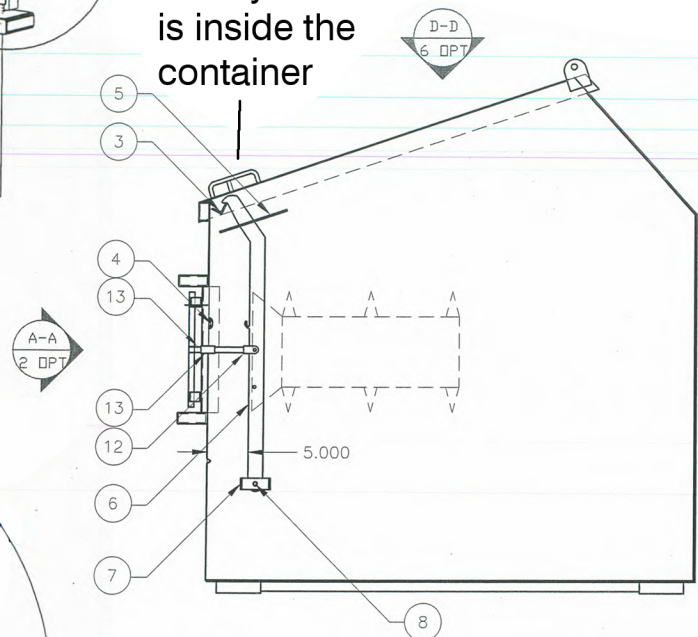
1

WHEN USING ITEM #27, THE ITEMS FOLLOWING MUST BE REMOVED FROM THE MAIN ASSEMBLY:

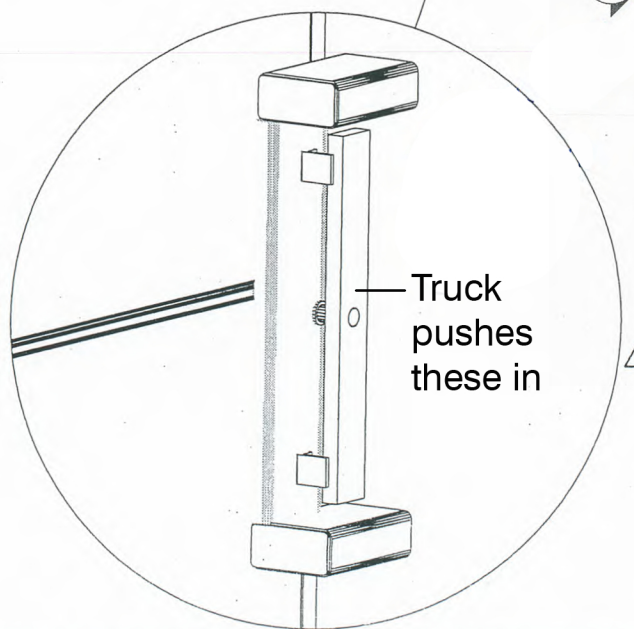
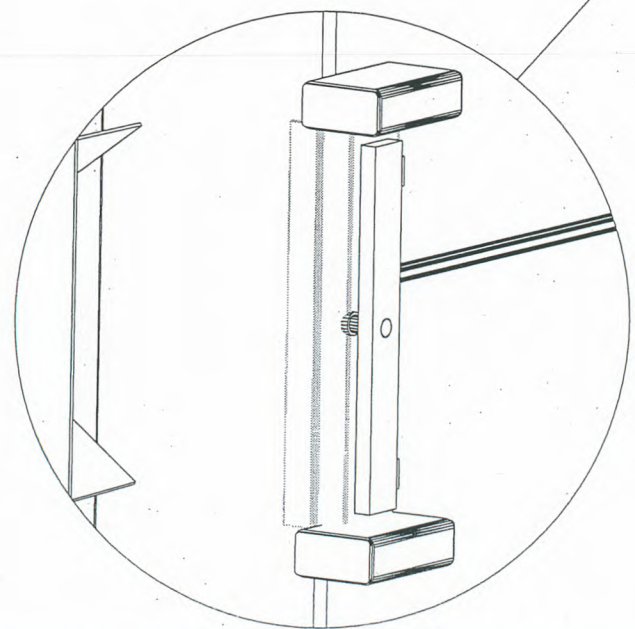
- #01-01-DUMP DOOR
- #10-BUMPER PLATE
- #19-LOCK BAR HOOK
- #24-HINGE, CENTER
- #25-LOCK BAR
- #26-LOCK BAR WASHER



The system is inside the container



SECTION C-C
(W/O COVER #27-01)



1